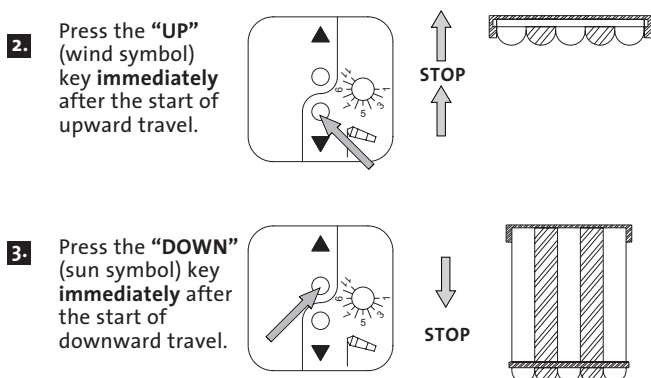
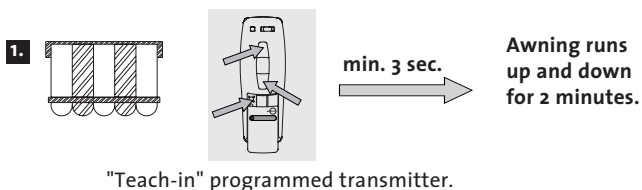


Commissioning

Condition:

The end positions of the awning have been set, a transmitter has been taught, and the Ventero-868 has been loaded (LED flashes when a key is pressed)

Start teach mode

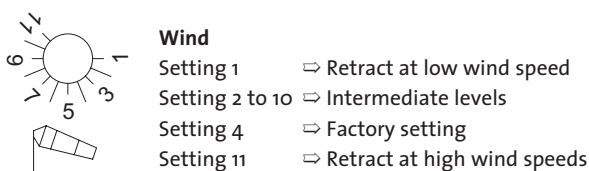


Checking the function

- Retracting the awning using the manual transmitter.
- Set the multiple contact switch for the wind value (at the bottom of the device) to setting 1.
- Turn the wind vane several times. The awning will retract.
- Set the multiple contact switch for the wind value to the required setting.

Setting the threshold values

Multiple contact switches for wind and sun are located at the underside of the Ventero-868. The switch has several settings, which can be modified with a small screwdriver.



Maintenance

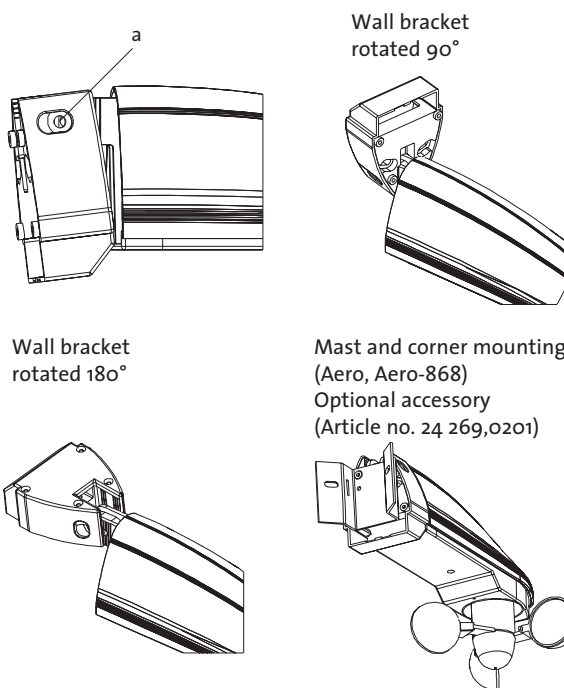
The Ventero-868 is maintenance-free, although the cover should be cleaned occasionally in order to prevent impairment of the light sensing function.

Assembly

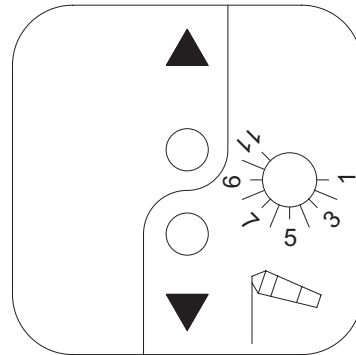
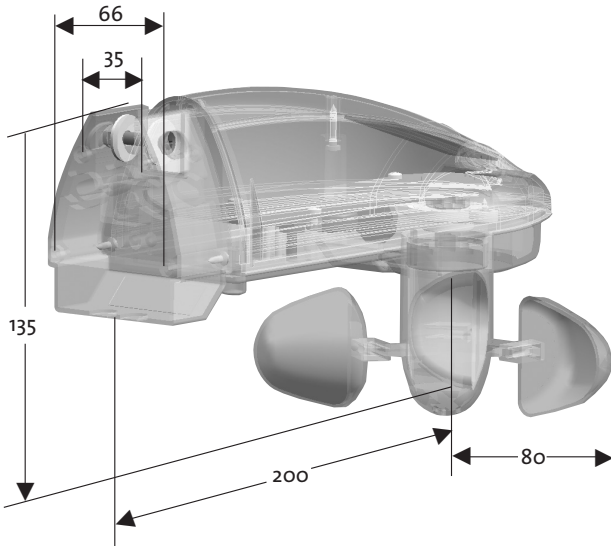
Before installing the unit at the required position, check the proper function of the Ventero-868 and the receiver.

Ventero-868 mounting options

The wall bracket can be swivelled between -5° and 180° . Secure the required position once it has been set (see screw a).



Fault	Cause	Trouble shooting
• Awning automatically retracts in manual mode	• Wind alarm • Ventero-868 is not loaded • Poor radio connection	• Wait for wind interlock to be deactivated (15 min.) or briefly interrupt power supply. • Load Ventero-868 • Change the position of the Ventero-868
• No travel command can be issued via the manual transmitter	• Wind alarm is active • Battery in the manual transmitter is dead • Motor has no power supply or is overheated	• Wait (15 minutes) • Change battery
• Awning does not retract in windy conditions	• Wind threshold value is set incorrectly • Wind vane is faulty	• Set correct value



General

Ventero-868 is a wireless sun/wind control device for your awning. Integrated solar cells enable autonomous function of the device.

Radio signals (frequency 868 MHz) are transmitted between the Ventero-868 and the motor.

The awning can be operated manually via a manual/wall transmitter.

Safety instructions



Warning!

Important safety advises!

Observe the following instructions.

- Only use unmodified original **elero** electrical parts.
- Keep persons away from the operating range of the system.
- Keep children away from the controls.
- Follow the relevant country-specific regulations.
- If one or more devices are used for controlling the system, the operating range must stay visible during operation.
- The device contains swallowable small parts.

Intended use

The Ventero-868 must **only** be used for controlling roller shutter, awning and blind systems.

Third-party devices should only be connected after consultation with your specialised dealer.

- Please ensure that the radio installations are not operated in areas of heightened possible interference. (e.g. hospitals, airports . .).
- The remote control is only approved for devices and systems for which any malfunction of the manual transmitter or receiver would not result in a risk for persons, animals or property, or if such a risk is covered by other safety devices.
- The operator has no protection whatsoever from interferences by other radio emitters and local terminals (e.g. also from radio installations), that are normally used on the same frequency range.
- Only use radio receivers with equipment and units approved by the manufacturer.

Device function

The wind speed is measured at regular intervals and compared with the set value.

Wind value above set value ⇒ Awning retracts or remains retracted.

The wind function is always active, irrespective of the light switch setting.

The slide switch has no influence on the function of the travel keys. However, in the event of a wind alarm, the keys are disabled for 15 minutes.

Technical data

Power supply	Solar
Temperature range	-25 °C to +60 °C
Protection class	IP 43
Radio frequency	868,3 MHz
Standby	~ 10 hrs.

Important!

The Ventero-868 only operates in combination with radio receivers from the elero ProLine-868 radio system.

Loading the Ventero-868

The Ventero-868 is supplied in discharged condition.

1. Prior to commissioning, load the Ventero-868 for at least minimum 30 minutes under a lamp or press the travel key for at least 1 minute.

Advice: the travel keys have two settings.

The first setting transfers energy from a built-in cell to the energy store.

The second setting activates the travel command.